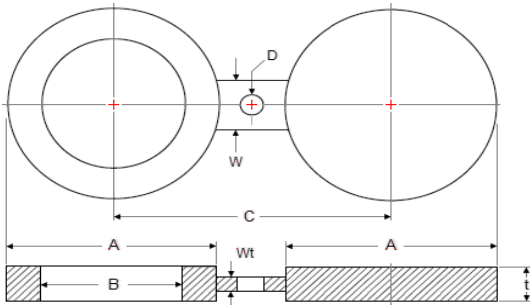


ANSI/ASME B16.48 CLASS 300 SPECTACLE BLIND FLANGES



| Nominal Pipe Size | O.D. | I.D. | Center Line | Thickness | Web Width |
|--------------------------|-------------|-------------|--------------------|------------------|------------------|
| inch | A | B | C | t | W |
| 01.Feb | 51 | 16 | 65 | 6.4 | 38 |
| 03.Apr | 64 | 21 | 80 | 6.4 | 38 |
| 1 | 70 | 27 | 90 | 6.4 | 38 |
| 1.1/4 | 79 | 42 | 100 | 6.4 | 38 |
| 1.1/2 | 92 | 48 | 115 | 6.4 | 38 |
| 2 | 108 | 61 | 125 | 9.7 | 51 |
| 2.1/2 | 127 | 73 | 150 | 9.7 | 51 |
| 3 | 146 | 89 | 170 | 9.7 | 64 |
| 3.1/2 | 162 | 102 | 185 | 12.7 | 64 |
| 4 | 178 | 114 | 200 | 12.7 | 64 |
| 5 | 213 | 141 | 235 | 15.7 | 76 |
| 6 | 248 | 168 | 270 | 15.7 | 76 |
| 8 | 305 | 219 | 330 | 22.4 | 76 |
| 10 | 359 | 273 | 385 | 25.4 | 102 |
| 12 | 419 | 324 | 450 | 28.4 | 102 |
| 14 | 483 | 356 | 515 | 31.8 | 108 |
| 16 | 536 | 406 | 570 | 38.1 | 108 |
| 18 | 594 | 457 | 630 | 41.1 | 114 |
| 20 | 651 | 508 | 685 | 44.5 | 121 |
| 24 | 772 | 610 | 810 | 50.8 | 140 |